


EVO Vent Silencers




*Engineering
GREAT Solutions*

The EVO silencer is an engineered noise abatement solution for vent to atmosphere applications

EVO Vent Silencers

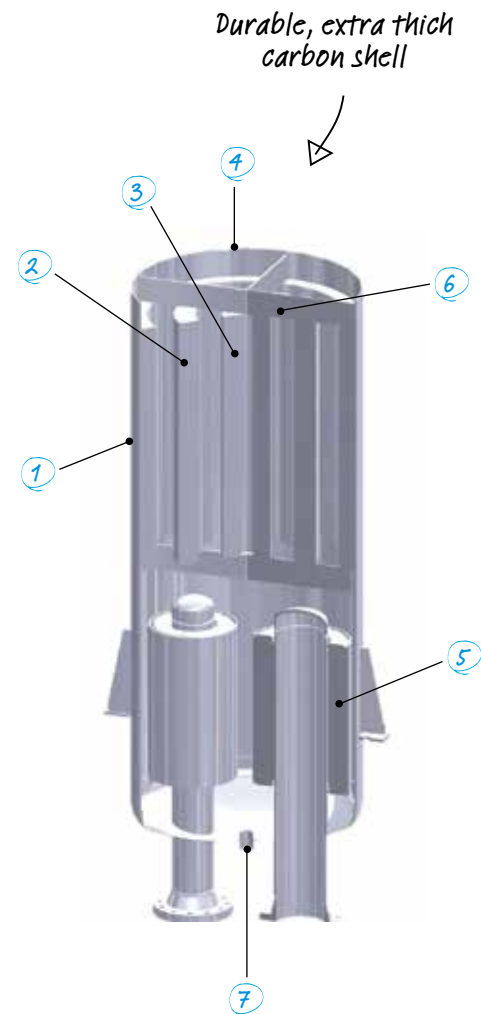
Recognizing the critical service characteristics of many vent to atmosphere applications, the EVO vent silencer has been designed to address durability, safety and performance in an economic and robust solution.

Key features and benefits

- 1 Extra thick carbon steel shell: durable long life construction, prevents noise propagation through the shell
- 2 Long strand fiberglass fill: resistant to blow out and damage from moisture, and high temperature
- 3 Optional stainless steel baffles: corrosion resistant material ensures longer service life.
- 4 Multiple outlet connection options: site specific requirements for snow, sand or animal protection
- 5 Flexible diffuser capacity: optimized to match upstream components
- 6 Lifting bar: integrated lifting point for ease of installation
- 7 Drain Connection: 1 inch NPT external body drain to prevent accumulation of rain water

Technical description

Body	Axial Flow*
Pressure rating	ANSI 150 – 2500
End connections	BWE Standard*
Shell material	Carbon or stainless steel
Baffle material	Carbon or stainless steel
Diffuser material	Carbon or stainless steel
Temperature range	-50 to 565 C
Quality specification	ASME B31.1 Section VIII Div I
Noise attenuation	Custom designed to specifications



IMI Critical Engineering
 Lakeside, Solihull Parkway
 Birmingham Business Park
 Birmingham B37 7XZ
 United Kingdom
 Tel: +44 (0)121 717 3700
 Fax: +44 (0)121 717 3701
www.imi-critical.com

IMI Fluid Kinetics
 1106 Industrial Road
 Winfield
 Kansas 67156
 USA
 Tel: +1 620 221 2343
 Fax: +1 620 221 0755
imifk.sales@imi-critical.com